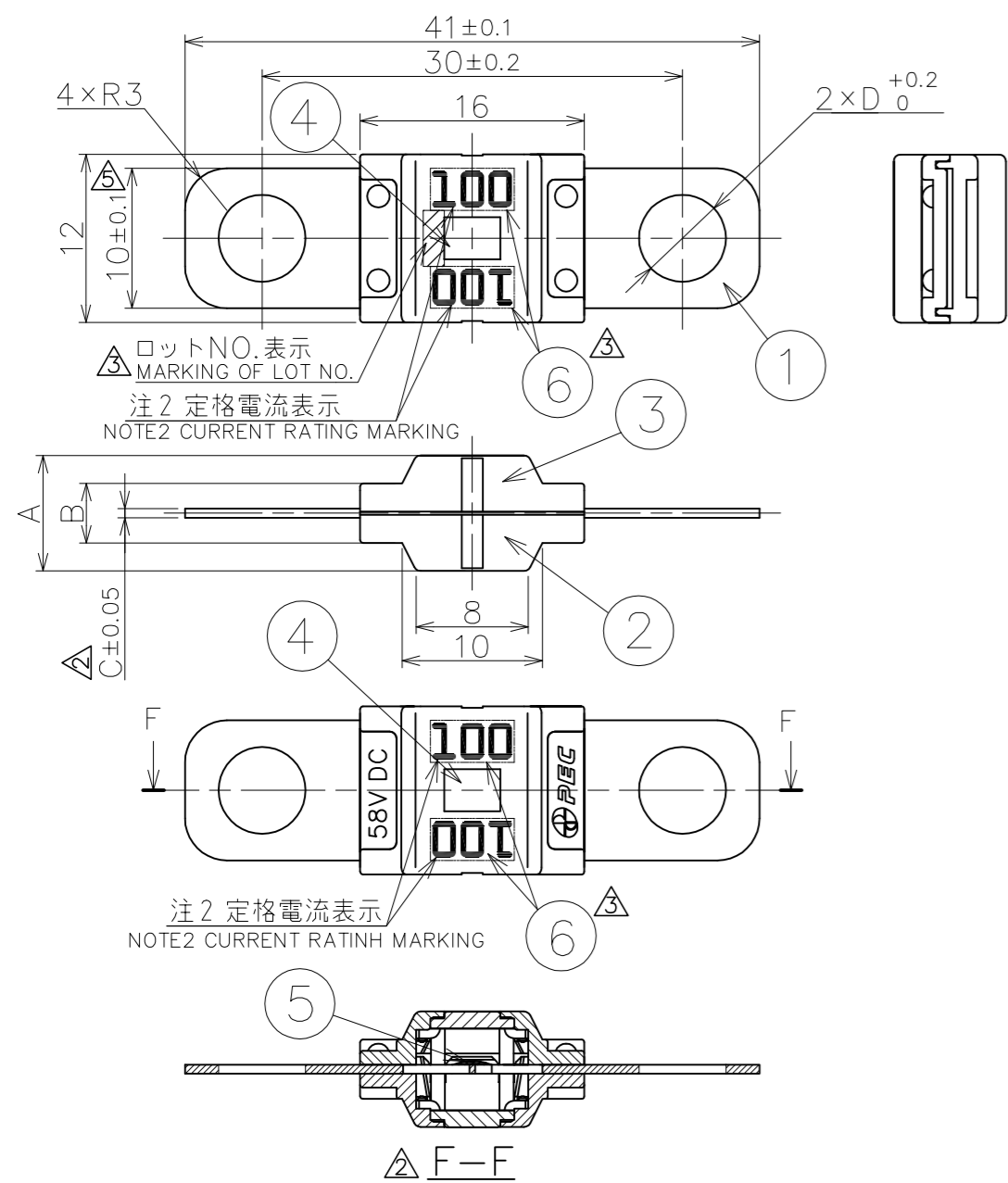
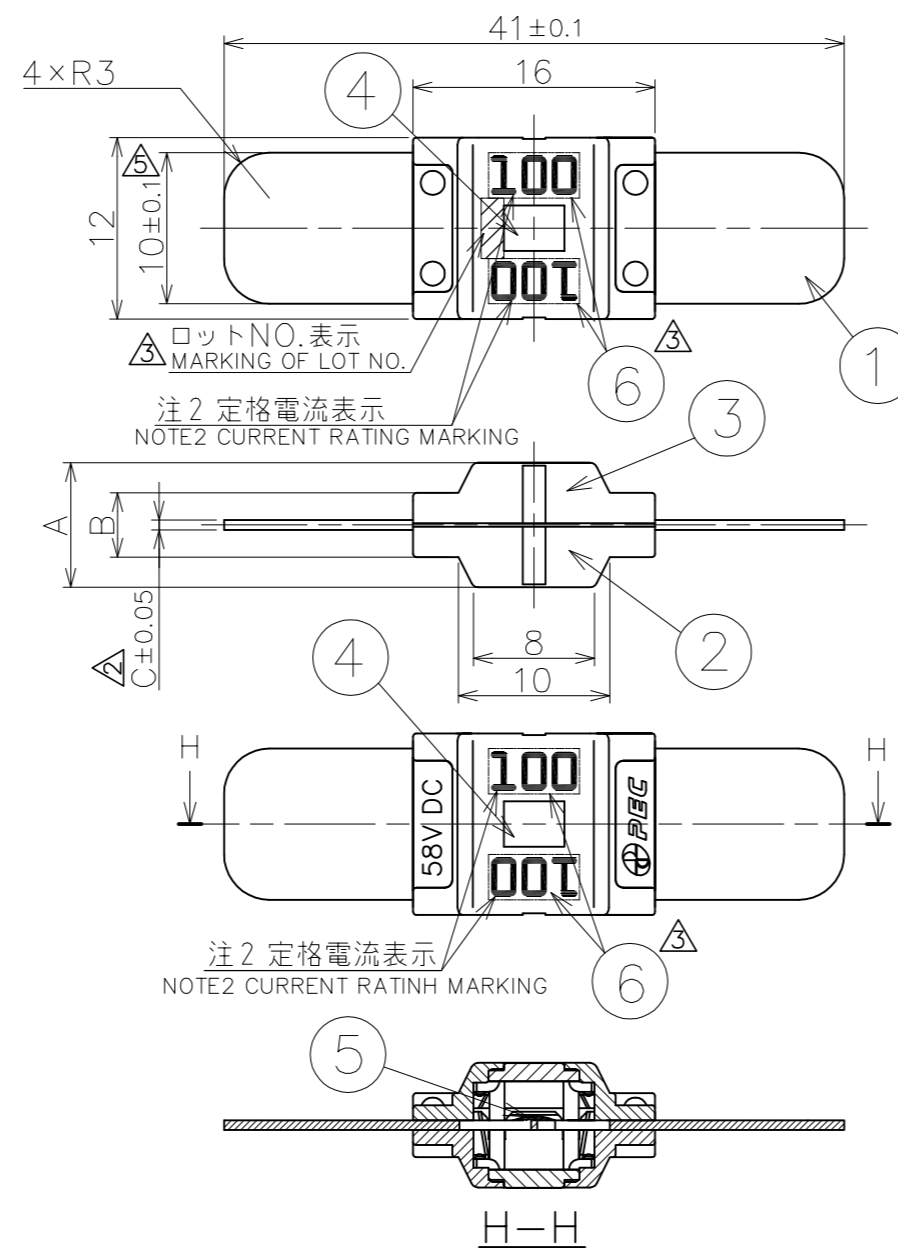


PART NAME SBFW-L



△PART NAME SBFW-L-OH



NO.	DATE	REVISION RECORDS	REVISED	REVISION NO.
△	18/MAR/2021	DELETE OF PACKAGING SPECIFICATION. ADD NOTE.	KONDO	-
△	06/NOV/2024	ADD NEW PART NO.(M5 150A/175A/200A).	MIZOZOE	-
△	22/JAN/2025	CHANGE DIMENSION TOLERANCE.	MIZOZOE	-

PART NAME SBFW-L

CURRENT RATING	△*1)PART NO.		△*2)PACKAGING PART NO.		HOUSING COLOR	A	B	C
	BOLT TYPE		BOLT TYPE					
	M5 D=5.4	M6 D=6.2	M5 D=5.4	M6 D=6.2				
30A	31390000	33380000	31390001	33380001	ORANGE	8	4	0.4
40A	31490000	33480000	31490001	33480001	GREEN			
50A	31590000	33580000	31590001	33580001	RED			
60A	31690000	33680000	31690001	33680001	YELLOW			
70A	31790000	33780000	31790001	33780001	BROWN			
80A	31890000	33880000	31890001	33880001	WHITE			
100A	31070000	33190000	31070001	33190001	BLUE	8.24	4.24	0.64
125A	31170000	33290000	31170001	33290001	PINK			
150A	△GI0000AZ	31080000	△GI0000AA	31080001	GRAY			
175A	△GI0100AZ	31180000	△GI0100AA	31180001	LIGHT BROWN			
200A	△GI0200AZ	31280000	△GI0200AA	31280001	VIOLET			

△PART NAME SBFW-L-1H

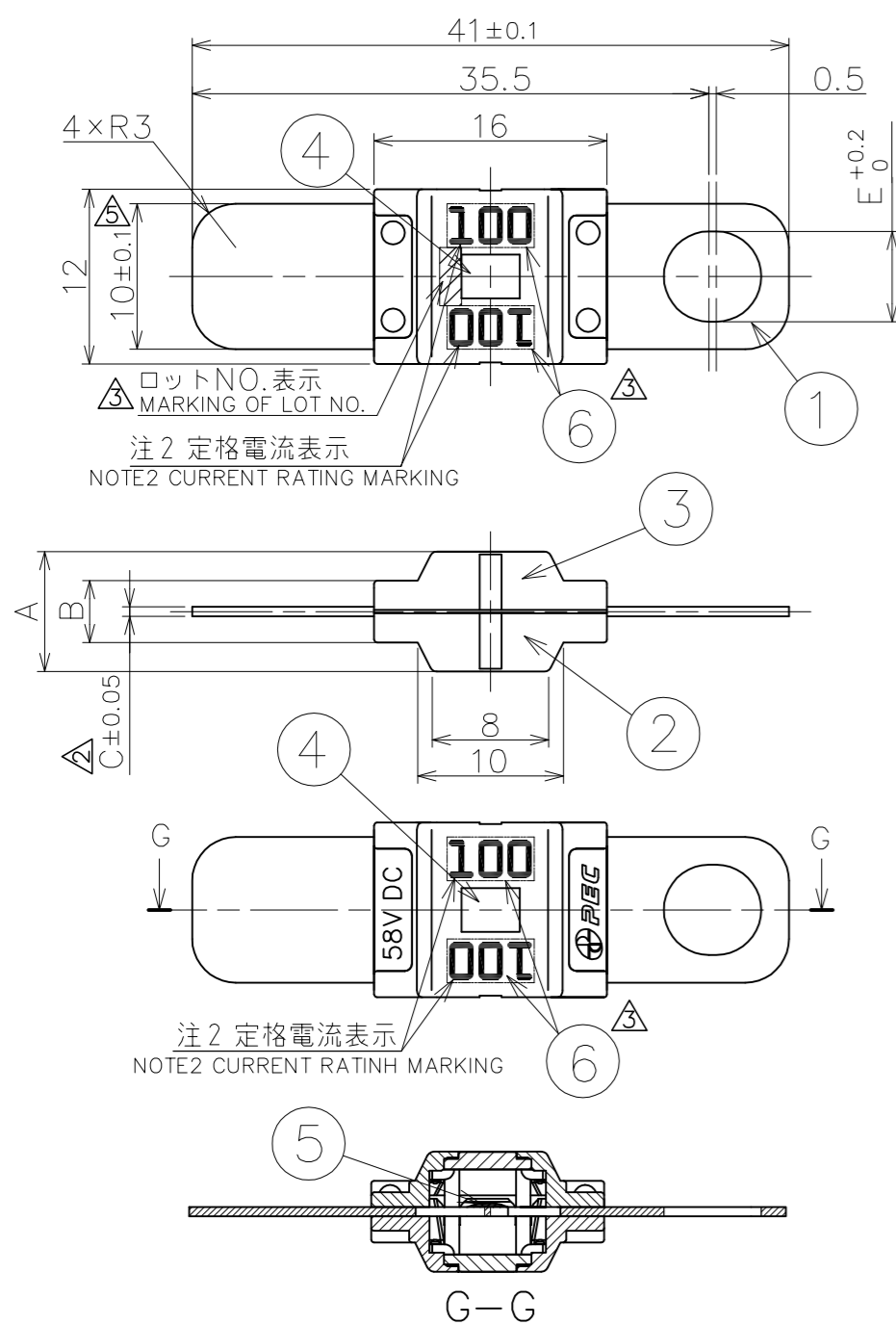
CURRENT RATING	△*1)PART NO.		△*2)PACKAGING PART NO.		HOUSING COLOR	A	B	C
	BOLT TYPE		BOLT TYPE					
	M5 E=5.4	M6 E=6.2	M5 E=5.4	M6 E=6.2				
30A	33310000	32380000	33310001	32380001	ORANGE	8	4	0.4
40A	33410000	32480000	33410001	32480001	GREEN			
50A	33510000	32580000	33510001	32580001	RED			
60A	33610000	32680000	33610001	32680001	YELLOW			
70A	33710000	32780000	33710001	32780001	BROWN			
80A	33810000	32880000	33810001	32880001	WHITE			
100A	33910000	32970000	33910001	32970001	BLUE	8.24	4.24	0.64
125A	34010000	32670000	34010001	32670001	PINK			
150A	△GI0300AZ	32770000	△GI0300AA	32770001	GRAY			
175A	△GI0400AZ	32870000	△GI0400AA	32870001	LIGHT BROWN			
200A	△GI0500AZ	32970000	△GI0500AA	32970001	VIOLET			

△PART NAME SBFW-L-OH

CURRENT RATING	*1)PART NO.	*2)PACKAGING PART NO.	HOUSING COLOR	A	B	C
30A	34750000	34750001	ORANGE	8	4	0.4
40A	34760000	34760001	GREEN			
50A	34770000	34770001	RED			
60A	34780000	34780001	YELLOW			
70A	34790000	34790001	BROWN			
80A	34800000	34800001	WHITE			
100A	34810000	34810001	BLUE	8.24	4.24	0.64
125A	34820000	34820001	PINK			
150A	34830000	34830001	GRAY			
175A	34840000	34840001	LIGHT BROWN			
200A	34850000	34850001	VIOLET			

△  
\*1)製品品番は包装前の状態を表す。  
\*2)包装品番は包装後の状態を表す。  
\*1)"PART NO." INDICATES THE PART WITHOUT PACKING.  
\*2)"PACKAGING PART NO." INDICATES THE PART WITH PACKING.

△PART NAME SBFW-L-1H



△  
<注記>

- 1.本図はSBFW-L 100Aを示し、他の定格は容量表示とハウジング色が異なる。
- 2.容量表示はホットスタンプ(白)とし、表示文字はANSI X3.17-1981とする。
- 3.ハウジング1の向きは180°回転可とする。
- 4.太平洋精工規定 (PES-02-04) の環境負荷物質の使用禁止・制限規定を順守すること。
- 5.規格はPES-A68-017に準拠する。 定格電圧: DC 58V 定格遮断容量: 1000A

<NOTES>

- 1.THIS SHOWS SBFW-L 100A, OTHER RATINGS HAVE DIFFERENT HOUSING COLOR AND INDICATION OF COVER.
- 2.CURRENT RATINGS MARKED BY WHITE STAMP AT SPECIFIED POINT. CURRENT RATINGS SHALL BE MARKED IN ACCORDANCE WITH ANSI X3.17-1981.
- 3.HOUSING1 IS ROTATABLE BY 180°.
- 4.COMPLY WITH ENVIRONMENTALLY HAZARDOUS SUBSTANCES PROHIBITION OF USING AND RESTRICTION WHICH IS PRESCRIBED UNDER PACIFIC ENGINEERING CORPORATION STANDARD "PES-02-04".
- 5.SPEC IS BASED ON PES-A68-017. RATED VOLTAGE:DC 58V BREAKING CAPACITY:1000A

△	6	-	HOT STAMP	-	HOT STAMP TAPE	-	COLOR: WHITE	
△	5	-	Sn	-	Sn	-	-	
	4	-	COVER	2	PAR	-	COLOR: CLEAR	
	3	-	HOUSING2	1	PA6T	-	COLOR: SEE TABLE	
	2	-	HOUSING1	1	PA6T	-	COLOR: SEE TABLE	
	1	-	ELEMENT	1	Cu ALLOY	-	Sn PLATING	
NO.	PART NO.	PART NAME	Q'TY	MATERIAL	SIZE	REMARKS		
APPROVED	Y. Nishiguchi		DIMENSION TOLERANCE	ANGULAR TOLERANCE	FINISH			
CHECKED			±0.3	-	-			
DESIGNED	T. Kondo		RUST PREVENTION	MATERIAL				
DRAWN	K. Mizozoe		-	SEE TABLE				
SCALE	2:1	UNIT	mm	DIAGRAM METHOD	PART NAME △ SBFW-L, L-1H, L-OH			
DRAWING DATE	22/JAN/2025	DRAWING NAME	G3338-0-5	THIRD ANGLE PROJECTION	PART NO. SEE TABLE			
Pacific Engineering Corporation							SHEET	SIZE
							1 / 1	A2