

SBFC-M

The SBFC-M is a more compact and more lightweight SBFC-LPJ fuse. It is the world's smallest and lightest SBF

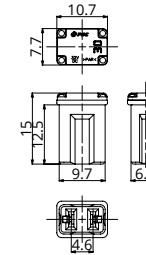


General Specification

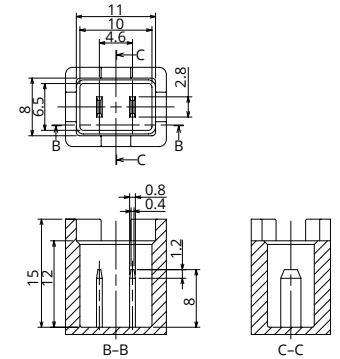
Rated Voltage	DC32V
Breaking Capacity	1000A
Recommended Operating Temp.	-40°C~120°C*2
Standard	JASO D612-4
Country of Origin	Japan/Mexico
Plating	Sn Plating
Standard Packaging	4,000
Insertion Force	44.1N
Pull-out Load	4N~24.5N
Recommended Torque	—

*2 Please contact us for the details of operating temperature.

Dimensions



Cavity



Product Lineup

Ampere Rating(A)	Part Number	Housing Colors	Resistance Value	Voltage Drop*1
15	3113	Gray	5.3 mΩ	97 mV
20	3123	Light Blue	4.0 mΩ	94 mV
25	3173	White	3.1 mΩ	93 mV
30	3133	Pink	2.6 mΩ	92 mV
40	3143	Green	2.1 mΩ	98 mV

*1 Voltage drop: apply 100% of the rated current.

Time-Current Characteristic

% of Ampere Rating(A)	Operating Time	
	Min	Max
110%	100hrs.	—
135%	60sec.	1800sec.
200%	5sec.	60sec.
350%	0.2sec.	7sec.
600%	0.04sec.	1sec.

*The fuse characteristic may change depending on the conditions of use.

Time-Current Characteristic Chart

