

## High-amperage SBFC-M

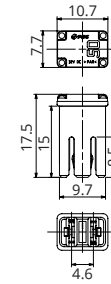


### General Specification

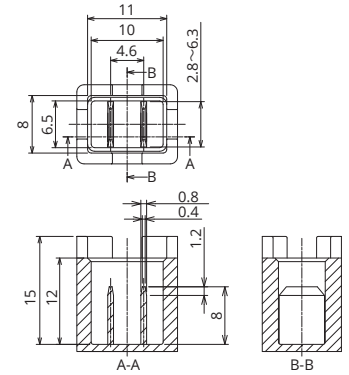
Rated Voltage	DC32V
Breaking Capacity	1000A
Recommended Operating Temp.	-40°C~120°C*2
Standard	—
Country of Origin	Japan
Plating	Tin plating
Standard Packaging	4,000
Insertion Force	44.1N
Pull-out Load	4N~24.5N
Recommended Torque	—

\*2 Please contact us for the details of operating temperature.

### Dimensions



### Cavity



### Product Lineup

Ampere Rating(A)	Part Number	Housing Colors	Resistance Value	Voltage Drop*1
15	3125	Gray	5.3 mΩ	94 mV
20	3145	Light Blue	3.9 mΩ	93 mV
25	3155	White	3.2 mΩ	93 mV
30	3165	Pink	2.2 mΩ	80 mV
40	3175	Green	1.6 mΩ	76 mV
50	3185	Red	1.3 mΩ	84 mV
60	3195	Yellow	1.1 mΩ	71 mV

\*1 Voltage drop: apply 100% of the rated current.

### Time-Current Characteristic

% of Ampere Rating(A)	Operating Time	
	Min	Max
110%	100hrs.	—
135%	60sec.	1800sec.
200%	2sec.	60sec.
350%	0.2sec.	7sec.
600%	0.04sec.	1sec.

\*The fuse characteristic may change depending on the conditions of use.

### Time-Current Characteristic Chart

