

# EVFP(φ38) Tin plating

Lightweight and compact High Voltage automotive fuses with excellent vibration resistance properties

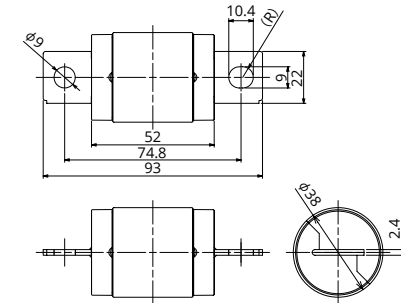


### General Specification

Rated Voltage	DC500V
Breaking Capacity	16000A
Recommended Operating Temp.	-40°C~85°C*2
Standard	—
Country of Origin	Japan
Plating	Tin plating
Standard Packaging	40
Insertion Force	—
Pull-out Load	—
Recommended Torque	(12.0±1.0)N·m

\*2 Please contact us for the details of operating temperature.

### Dimensions



### Product Lineup

Ampere Rating(A)	Part Number	Bolt Size	Diameter	Resistance Value	Voltage Drop
350	2986	M8	φ38	Coming up	Coming up
400	2987				
450	2988				
500	2989				

\*In case a product other than the ones published in the document is desired, please contact us.

### Time-Current Characteristic

% of Ampere Rating(A)	Operating Time	
	Min	Max
110%	4hrs.	—
200%	5sec.	100sec.
300%	0.5sec.	15sec.
500%	—	1sec.

\*The fuse characteristic may change depending on the conditions of use.

### Time-Current Characteristic Chart

