

EVFG($\phi 7.2$)

Fuses to protect auxiliary system circuits such as electric compressors and DC/DC converters

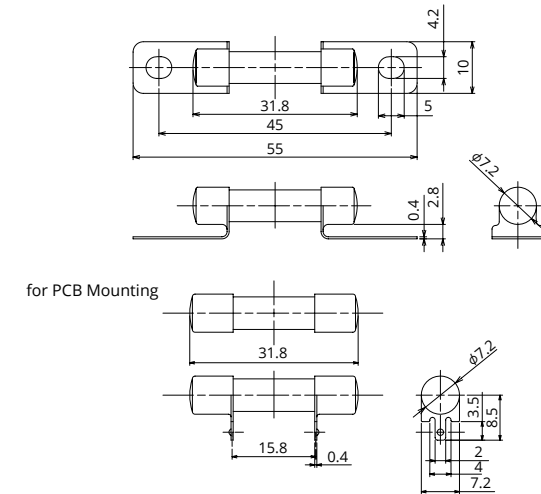


General Specification

Rated Voltage	DC450V
Breaking Capacity	2000A
Recommended Operating Temp.	-40°C~100°C*2
Standard	—
Country of Origin	Japan/Thailand
Plating	Ni Plating
Standard Packaging	300
Insertion Force	—
Pull-out Load	—
Recommended Torque	(2.1±0.2)N·m

*2 Please contact us for the details of operating temperature.

Dimensions



Product Lineup

Ampere Rating(A)	Part Number	Bolt Size	Diameter	Resistance Value	Voltage Drop*1
10	2754	M4	$\phi 7.2$	Coming up	Coming up
15	2729			6.3 m Ω	52 mV
20	2759			3.9 m Ω	41 mV
30	2737			2.5 m Ω	41 mV
30	2728	for PCB Mounting		Coming up	Coming up

*1 Voltage drop: apply 50% of the rated current.
 *In case a product other than the ones published in the document is desired, please contact us.
 *PCB-mount type is under development, so please contact us for the details.

Time-Current Characteristic

% of Ampere Rating(A)	Operating Time	
	Min	Max
110%	4hrs.	—
135%	300sec.	3600sec.
200%	5sec.	100sec.
300%	0.5sec.	15sec.
500%	—	1sec.
600%	— (0.05sec.)	— (1sec.)

() 2759

*The fuse characteristic may change depending on the conditions of use.

Time-Current Characteristic Chart

