

BFSL-3

BFSL-3 is a multi terminal state-of-the-art blade fuse

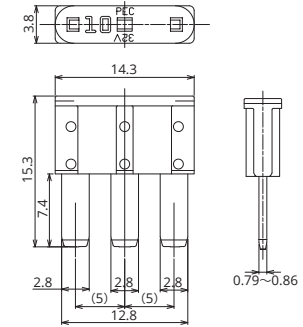


General Specification

Rated Voltage	DC32V
Breaking Capacity	1000A
Recommended Operating Temp.	-40°C~120°C*2
Standard	ISO8820-13
Country of Origin	Japan
Plating	Ag Plating
Standard Packaging	10,000
Insertion Force	—
Pull-out Load	—
Recommended Torque	—

*2 Please contact us for the details of operating temperature.

Dimensions



Product Lineup

Ampere Rating(A)	Part Number	Housing Colors	Resistance Value	Voltage Drop*1
5	1183	Tan	16.7 mΩ	127 mV
7.5	1184	Brown	10.5 mΩ	112 mV
10	1185	Red	7.9 mΩ	114 mV
15	1186	Blue	5.0 mΩ	120 mV

※1 Voltage drop: apply 100% of the rated current.

Time-Current Characteristic

% of Ampere Rating(A)	Operating Time	
	Min	Max
110%	100hrs.	—
135%	0.75sec.	120sec.
160%	0.25sec.	50sec.
200%	0.15sec.	5sec.
350%	0.04sec.	0.5sec.
600%	0.02sec.	0.1sec.

*The fuse characteristic may change depending on the conditions of use.

Time-Current Characteristic Chart

