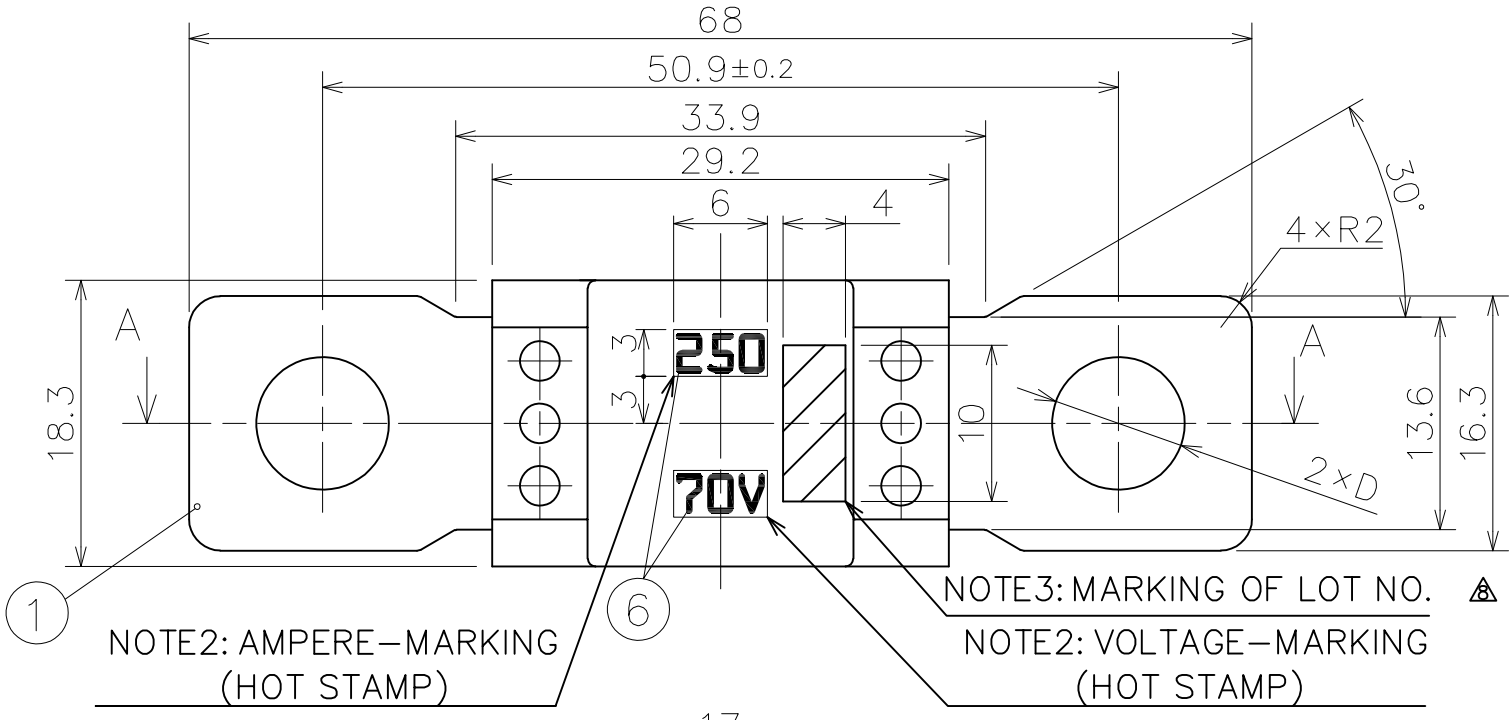
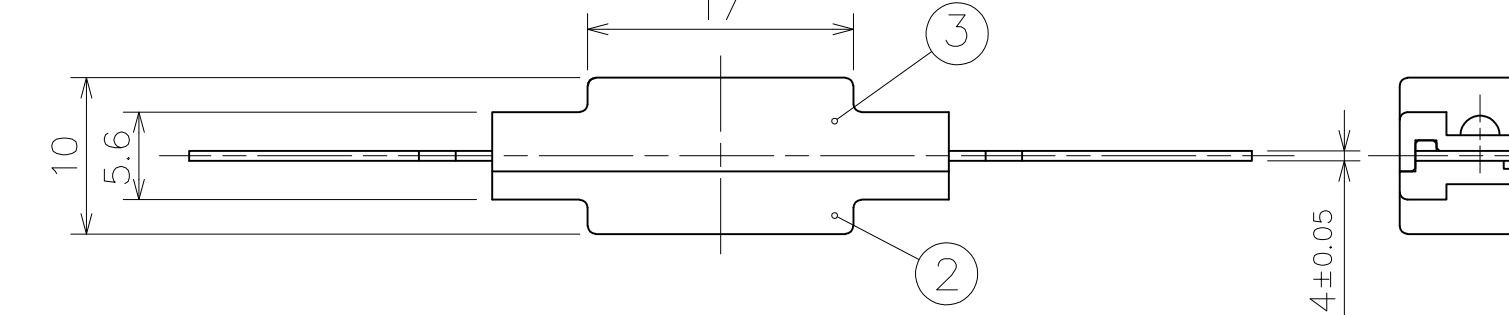


NO.	DATE	REVISION RECORDS	REVISED	REVISION NO.
△	04/DEC/2018	ERROR CORECTION(LOT NUMBER) CHANGING MARKING	-	-
△	09/DEC/2019	ADDITION: M8L(PAGE 2/3) CHANGING MARKING(PAGE 3/3)	-	-
△	01/JUN/2021	DELETE PACKAGING SPECIFICATION (3/3).	-	-

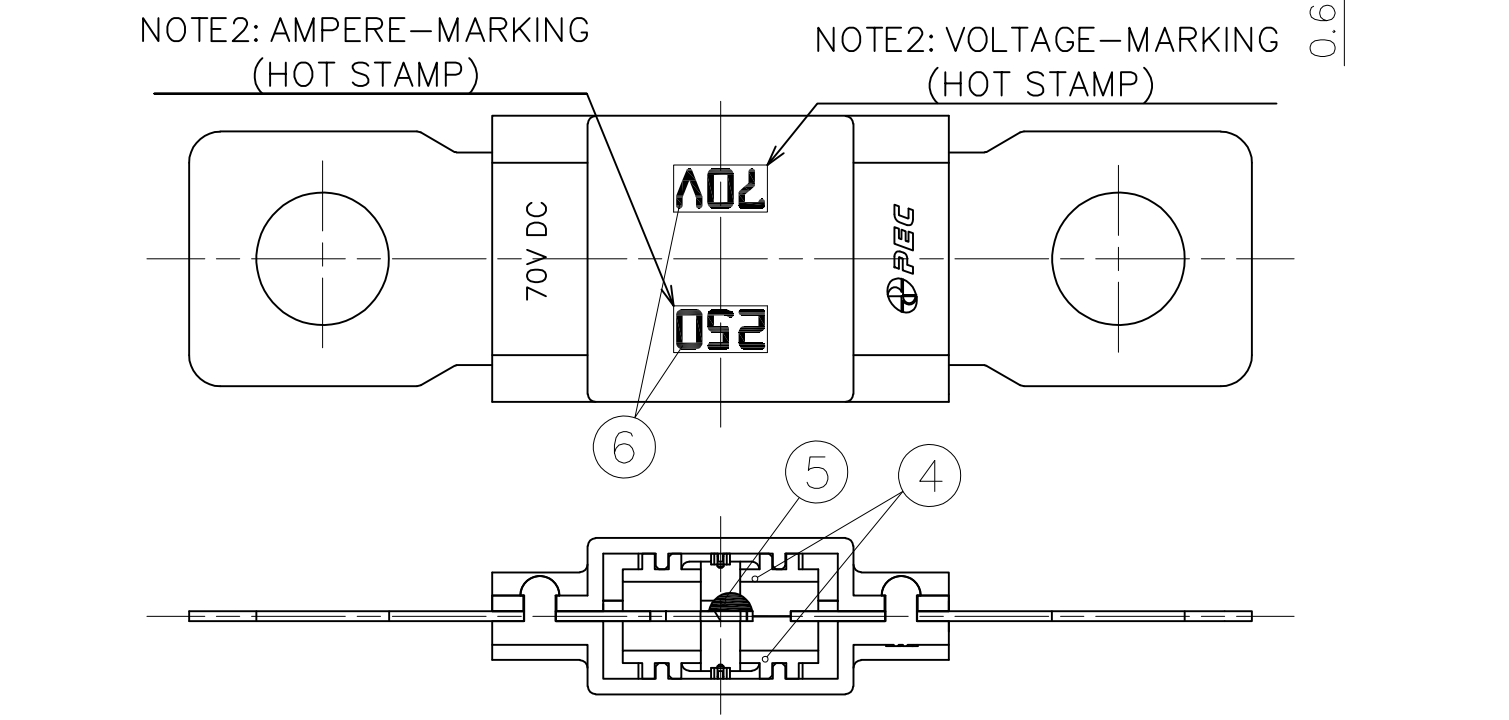


CURRENT RATING	SBFW-K48V-M6(D=φ6.5 ^{+0.1} ₀)		SBFW-K48V-M8(D=φ8.5 ^{+0.2} ₀)		COLOR CODE	HOT STAMP TAPE COLOR
	PART NO.	PACKAGING PART NO.	PART NO.	PACKAGING PART NO.		
60A	30940000	30940001	30900000	30900001	LIGHT BLUE	BLACK
80A	30030000	30030001	30010000	30010001	RED	WHITE
100A	30130000	30130001	30110000	30110001	YELLOW	BLACK
125A	30230000	30230001	30210000	30210001	GREEN	WHITE
150A	30330000	30330001	30310000	30310001	ORANGE	WHITE
175A	30430000	30430001	30410000	30410001	WHITE	BLACK
200A	30530000	30530001	30510000	30510001	BLUE	WHITE
225A	30630010	30630011	30610000	30610001	LIGHT BROWN	WHITE
250A	30730000	30730001	30710000	30710001	PINK	WHITE
300A	30930000	30930001	30910000	30910001	GRAY	WHITE
350A	30040000	30040001	30020000	30020001	DARK GREEN	WHITE
400A	30140000	30140001	30120000	30120001	VIOLET	WHITE
450A	30240000	30240001	30220000	30220001	DARK YELLOW	WHITE
500A	30340000	30340001	30320000	30320001	BROWN	WHITE



<注記>
 1. 本図はSBFW-K48V 250Aを示し、他の定格は容量表示とハウジング色が異なる。
 2. 図示の位置に定格電流、定格電圧を表示し、表示位置は図面指示またはハウジングを180°回転させた図面指示とする。
 3. ハウジング2の図示位置にロットNO.を表示すること。
 4. 定格電圧と定格電流の表示はホットスタンプを使用する。ホットスタンプの色は定格によって異なる。
 5. 太平洋精工規定(PES-02-04)の環境負荷物質の使用禁止、制限規定を遵守すること。
 6. 規格は PES-A68-018に準拠する。 定格電圧: DC 70V 定格遮断容量: 2500A

<NOTE>
 1. THIS SHOWS SBFW-K48V 250A, ANOTHER IS DIFFERENT IN HOUSING COLOR AND INDICATION OF AMPERE RATING.
 2. FUSE AMPERE AND RATED VOLTAGE SHALL BE MARKED EITHER ON THE INDICATED POSITION IN THIS DRAWING OR THE SAME POSITION WHEN THE HOUSING IS REVOLVED.
 3. LOT NUMBER SHALL BE MARKED ON THE INDICATED LOCATION OF HOUSING2.
 4. FOR RATED CURRENT AND RATED VOLTAGE, HOT STAMP IS USED. THE COLOR OF HOT STAMP DEPENDS ON THE RATING.
 5. COMPLY WITH ENVIRONMENTAL RESTRICTION AND PROHIBITION WHICH RESTRICTION AND PROHIBITION WHICH PRESCRIBED UNDER "PES-02-04".
 6. SPEC IS BASED ON PES-A68-018. RATED VOLTAGE: DC 70V BREAKING CAPACITY: 2500A

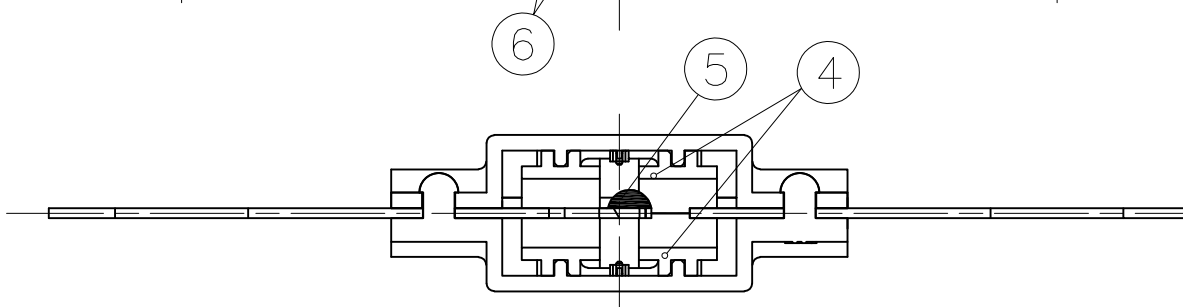
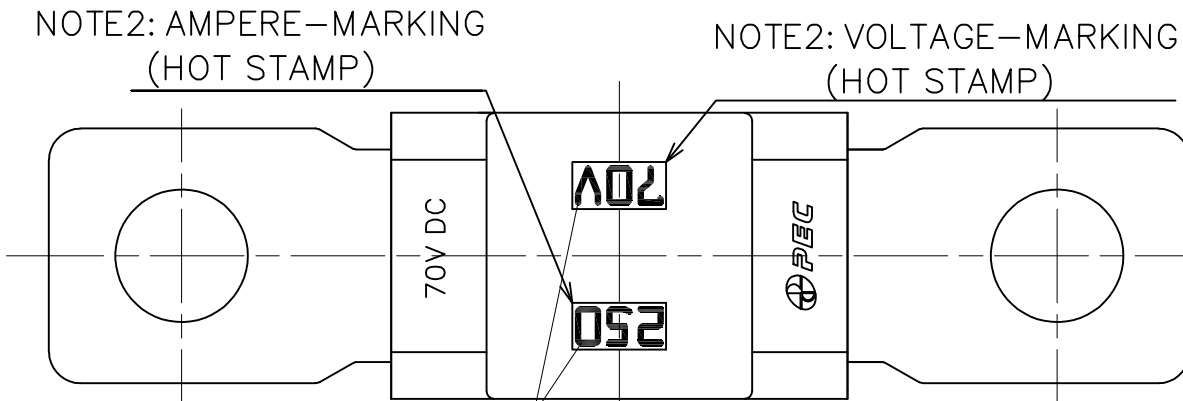
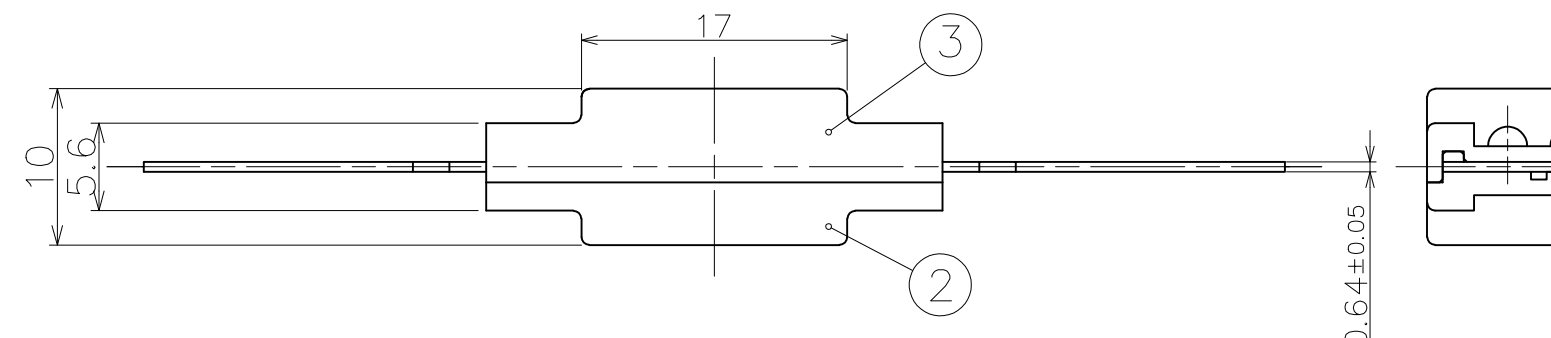
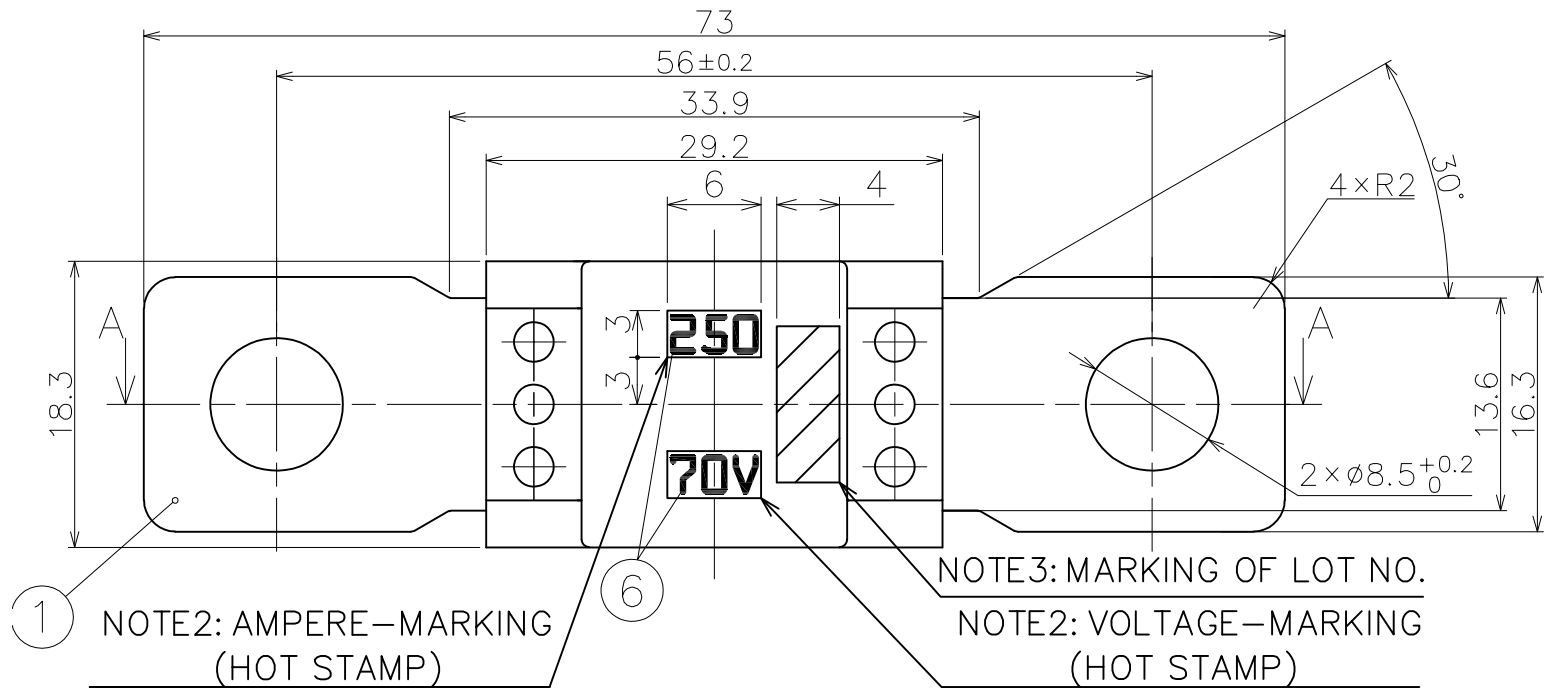


△	6	-	HOT STAMP TAPE	-	-	-	COLOR: SEE TABLE
	5	-	Sn	-	Sn	-	-
	4	-	INSULATOR	2	PA6T	-	-
	3	-	HOUSING2	1	PA6T	-	COLOR: SEE TABLE
	2	-	HOUSING1	1	PA6T	-	COLOR: SEE TABLE
	1	-	ELEMENT	1	Cu ALLOY	-	TIN PLATING
NO.	PART NO.	PART NAME	Q'TY	MATERIAL	SIZE	REMARKS	

APPROVED	<i>Watanabe</i>	DIMENSION TOLERANCE	ANGULAR TOLERANCE	FINISH
CHECKED	<i>ml</i>	±0.3	±1°	-
DESIGNED	<i>T. Kondo Y. Fujiya</i>	RUST PREVENTION	MATERIAL	
DRAWN	<i>E. Miyazaki</i>	-	SEE TABLE	

SCALE	UNIT	DIAGRAM METHOD	PART NAME
2:1	mm	THIRD ANGLE PROJECTION	SBFW-K48V-M6,M8 ASSY
DRAWING DATE	DRAWING NAME	3D CAD DATA	PART NO.
01/JUN/2021	G3001-0-10	-	SEE TABLE

NO.	DATE	REVISION RECORDS	REVISED	REVISION NO.
-	-	REFER TO (1/2)	-	-
-	-	-	-	-
-	-	-	-	-



CURRENT RATING	PART NO.	PACKAGING PART NO.	COLOR CODE	HOT STAMP TAPE COLOR
60A	33330000	33330001	LIGHT BLUE	BLACK
80A	33530000	33530001	RED	WHITE
100A	33630000	33630001	YELLOW	BLACK
125A	33730000	33730001	GREEN	WHITE
150A	33830000	33830001	ORANGE	WHITE
175A	33930000	33930001	WHITE	BLACK
200A	33040000	33040001	BLUE	WHITE
225A	33140000	33140001	LIGHT BROWN	WHITE
250A	33240000	33240001	PINK	WHITE
300A	33440000	33440001	GRAY	WHITE
350A	33470000	33470001	DARK GREEN	WHITE
400A	33570000	33570001	VIOLET	WHITE
450A	33670000	33670001	DARK YELLOW	WHITE
500A	33770000	33770001	BROWN	WHITE

<注記>

- 1.本図はSBFW-K48V-M8L 250Aを示し、他の定格は容量表示とハウジング色が異なる。
- 2.図示の位置に定格電流、定格電圧を表示し、表示位置は図面指示またはハウジングを180°回転させた図面指示とする。
- 3.ハウジング2の図示位置にロットNO.を表示すること。
- 4.定格電圧と定格電流の表示はホットスタンプを使用する。ホットスタンプの色は定格によって異なる。
- 5.太平洋精工規定(PES-02-04)の環境負荷物質の使用禁止、制限規定を遵守すること。
- 6.規格は PES-A68-018に準拠する。定格電圧:DC 70V 定格遮断容量:2500A

<NOTE>

- 1.THIS SHOWS SBFW-K48V-M8L 250A,ANOTHER IS DIFFERENT IN HOUSING COLOR AND INDICATION OF AMPERE RATING.
- 2.FUSE AMPERE AND RATED VOLTAGE SHALL BE MARKED EITHER ON THE INDICATED POSITION IN THIS DRAWING OR THE SAME POSITION WHEN THE HOUSING IS REVOLVED.
- 3.LOT NUMBER SHALL BE MARKED ON THE INDICATED LOCATION OF HOUSING2.
- 4.FOR RATED CURRENT AND RATED VOLTAGE, HOT STAMP IS USED. THE COLOR OF HOT STAMP DEPENDS ON THE RATING.
- 5.COMPLY WITH ENVIRONMENTAL RESTRICTION AND PROHIBITION WHICH RESTRICTION AND PROHIBITION WHICH PRESCRIBED UNDER "PES-02-04".
- 6.SPEC IS BASED ON PES-A68-018. RATED VOLTAGE:DC 70V BREAKING CAPACITY:2500A

6	-	HOT STAMP TAPE	-	-	-	COLOR: SEE TABLE
5	-	Sn	-	Sn	-	-
4	-	INSULATOR	2	PA6T	-	-
3	-	HOUSING2	1	PA6T	-	COLOR: SEE TABLE
2	-	HOUSING1	1	PA6T	-	COLOR: SEE TABLE
1	-	ELEMENT	1	Cu ALLOY	-	TIN PLATING
NO.	PART NO.	PART NAME	Q'TY	MATERIAL	SIZE	REMARKS

APPROVED	<i>Watanabe</i>	DIMENSION TOLERANCE	ANGULAR TOLERANCE	FINISH
CHECKED	<i>mlr</i>	±0.3	±1°	-
DESIGNED	<i>T. Kondo Y. Furuya</i>	RUST PREVENTION	MATERIAL	
DRAWN	<i>E. Miyasaki</i>	-	SEE TABLE	

SCALE	UNIT	DIAGRAM METHOD	PART NAME
2:1	mm	THIRD ANGLE PROJECTION	△ SBFW-K48V-M8L ASSY
DRAWING DATE	DRAWING NAME	3D CAD DATA	PART NO.
01/JUN/2021	G3001-0-10	-	SEE TABLE