

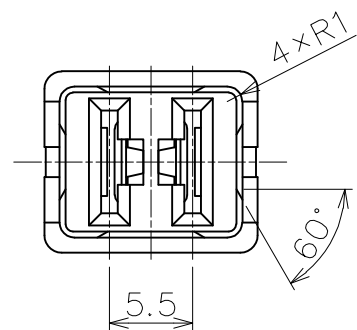
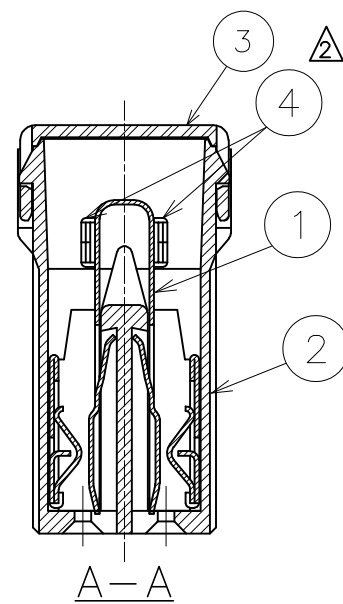
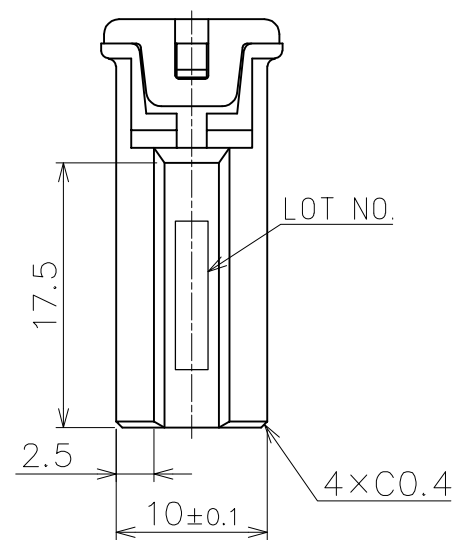
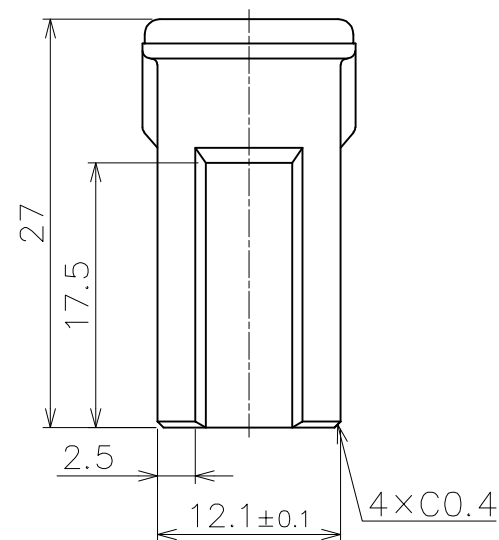
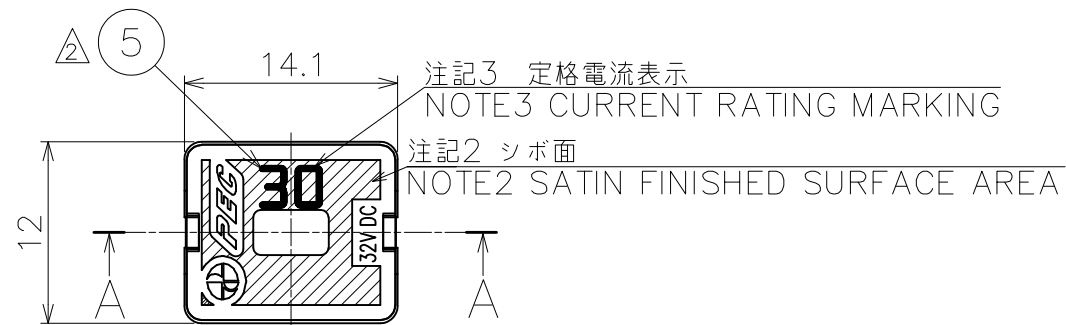
NO.	DATE	REVISION RECORDS	REVISED	REVISION NO.
①	02/OCT/2013	—	—	—
②	21/OCT/2020	WRITE IN BOTH JAPANESE AND ENGLISH. ADD PART No. AND NOTE. DELETE OF ID TAG DESIGN.	MORISHITA	—
③	22/FEB/2021	DELETE PACKAGING SPECIFICATION AND CHANGE NOTE.	MIYAZAKI	—

△<注記>

- 1.本図はSBFC-JT 30Aを示し、他の定格は容量表示とハウジング色が異なる。
- 2.シボはR終わりまでとする。
- 3.定格表示の位置は、図面指示部またはカバーを180°回転させた図面指示部とする。
- 4.太平洋精工規定(PES-02-04)の環境負荷物質の使用禁止・制限規定を遵守すること。

<NOTES>

- 1.THIS DRAWING SHOWS SBFC-JT 30A, OTHER RATINGS HAVE DIFFERENT HOUSING COLOR AND INDICATION OF CURRENT RATING.
- 2.SATIN FINISHED SURFACE AREA SHALL END WITHIN THE EDGE OF R.
- 3.MARKING OF CURRENT RATING SHALL BE MARKED EITHER ON THE INDICATED POSITION IN THIS DRAWING OR THE SAME POSITION WHEN THE COVER IS REVOLVED BY 180°.
- 4.COMPLY WITH ENVIRONMENTAL RESTRICTION AND PROHIBITION WHICH PRESCRIBED UNDER PEC POLICY "PES-02-04".



CURRENT RATING	*1)PART NO.	*2)PACKAGING PART NO.	HOUSING COLOR
20A	34240010	34240012	LIGHT BLUE
25A	34740000	34740002	WHITE
30A	34340010	34340012	PINK
40A	34440010	34440012	GREEN
50A	34540010	34540012	RED
60A	34640010	34640012	YELLOW

- △① ② \*1)製品品番は包装前の状態を表す。  
 \*2)包装品番は包装後の状態を表す。  
 \*1)"PART NO." INDICATES THE PART WITHOUT PACKING.  
 \*2)"PACKAGING PART NO." INDICATES THE PART WITH PACKING.

⑤	—	HOT STAMP	—	HOT STAMP TAPE	—	COLOR: WHITE
④	—	Sn	—	Sn	—	—
③	—	COVER	1	PAR	—	COLOR: PURPLE
②	—	HOUSING	1	PA6T	—	COLOR: SEE TABLE
①	—	ELEMENT	1	Cu ALLOY	t=0.3	—
NO.	PART NO.	PART NAME	Q'TY	MATERIAL	SIZE	REMARKS

APPROVED	<i>H. Akibata</i>	DIMENSION TOLERANCE	ANGULAR TOLERANCE	FINISH
CHECKED	<i>Y. Tsuya</i>	±0.2	±1°	—
DESIGNED	<i>K. morishita T. Kondo</i>	RUST PREVENTION	MATERIAL	
DRAWN	<i>E. Miyazaki</i>	—	SEE TABLE	

SCALE	UNIT	DIAGRAM METHOD	PART NAME
2:1	mm	THIRD ANGLE PROJECTION	SBFC-JT
DRAWING DATE	DRAWING NAME	3D CAD DATA	PART NO.
22/FEB/2021	G3424-0-4-1	—	SEE TABLE

**Pacific Engineering Corporation**

SHEET	SIZE
1 / 1	A3