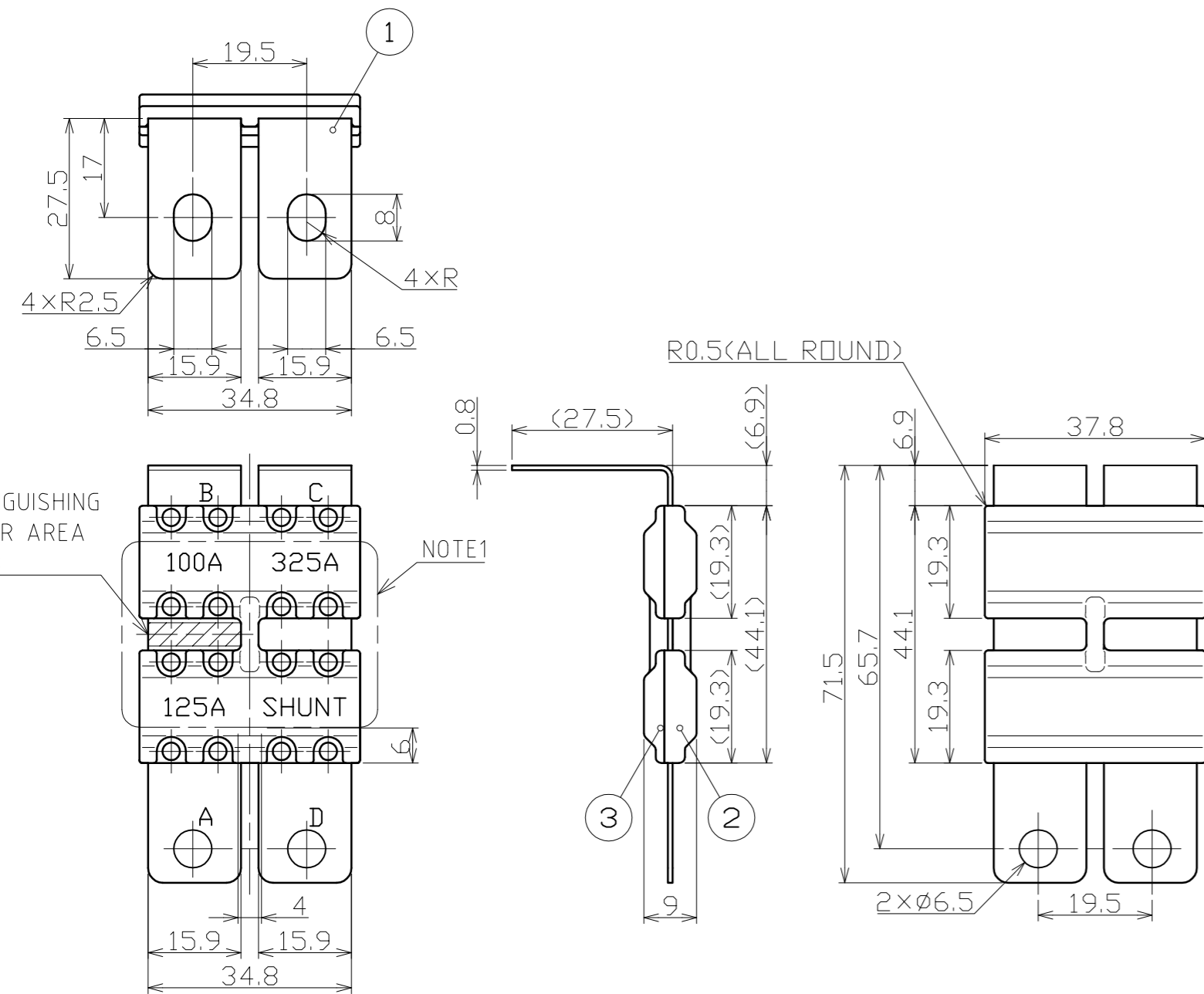
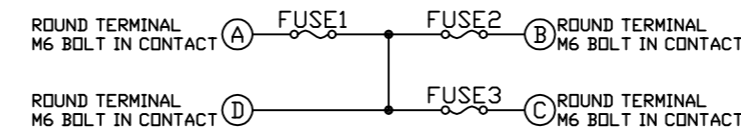


NO.	DATE	REVISION RECORDS	REVISED	REVISION NO.
△	11/SEP/14	ADDING PART NO. 3738.	KAWASE	-
△	25/DEC/14	ADDING PART NO. 3737.	KAWASE	-
△	30/MAR/15	ADDING PART NO. 3736.	ACOSTA	-



MUSB-T1 - T4 ASSY

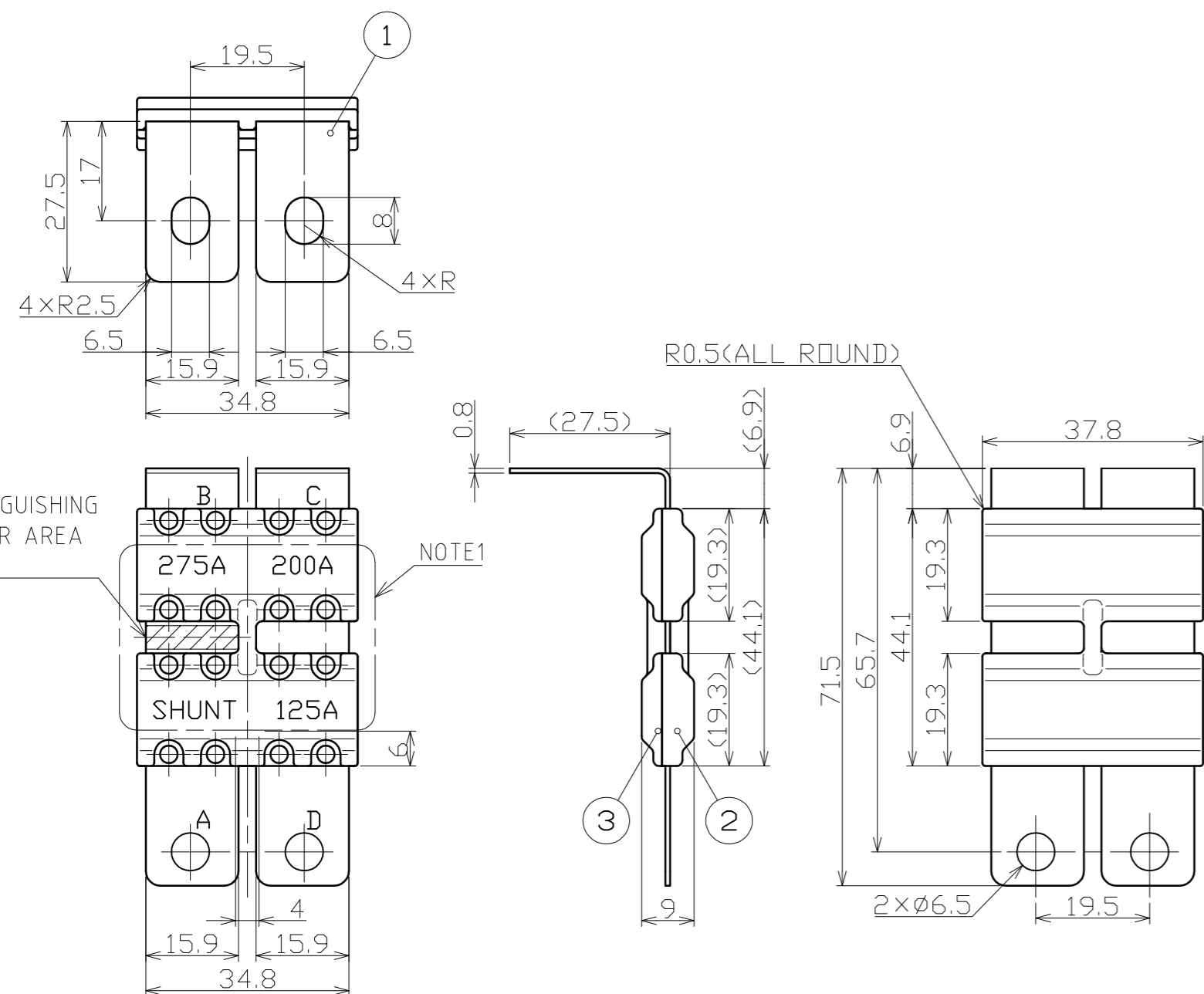
<CIRCUIT DIAGRAM>



MUSB-T1 - T4

<TABLE1>

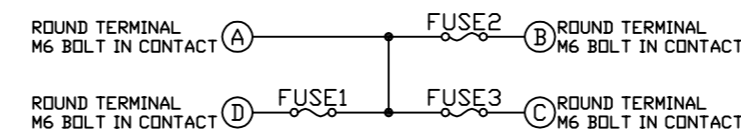
PART NAME	MUSB-T1	MUSB-T2	MUSB-T3	MUSB-T4	MUSB-T5
PART NO	37290011	37390011	37380011	37370001	37360001
FUSE1	125A	125A	125A	125A	125A
FUSE2	100A	70A	80A	80A	275A
FUSE3	325A	375A	375A	300A	200A
DISTINGUISHING LETTER	A	B	C	D	AB



△MUSB-T5 ASSY

△

<CIRCUIT DIAGRAM>



MUSB-T5

NOTE

- 1.RATED CURRENT SHALL BE PRINTED BY LASER.
- 2.THIS DRAWING SHOWS 372900\*1 AND 373600\*1. THE OTHER CONFIGURATIONS SHALL BE CONFORMED WITH TABLE 1.
- 3.INDICATE THE DISTINGUISHING LETTER IN THE SHOWING AREA.

3	-	HOUSING2	1	PA6T-GF35		BLACK	
2	-	HOUSING 1	1	PA6T-GF35		BLACK	
1	-	ELEMENT	1	COPPER ALLOY	t0.8	TIN PLATING	
NO.	PART NO.	PART NAME	Q'TY	MATERIAL	SIZE	REMARKS	
APPROVED	T. Nakagawa		DIMENSION TOLERANCE	ANGULAR TOLERANCE	FINISH		
CHECKED	Mazuyaki		±0.3	-	-		
DESIGNED	J. Matsuyaki		RUST PREVENTION	MATERIAL			
DRAWN	J. Matsuyaki		-	SEE TABLE			
SCALE	1:1	UNIT	mm	DIAGRAM METHOD	PART NAME		
				THIRD ANGLE PROJECTION	MUSB-T		
DRAWING DATE	30/MAR/15	DRAWING NAME	G3729-0-4	3D CAD DATA	PART NO. SEE TABLE		
<b>Pacific Engineering Corporation</b>						SHEET	SIZE
						1 / 1	A2