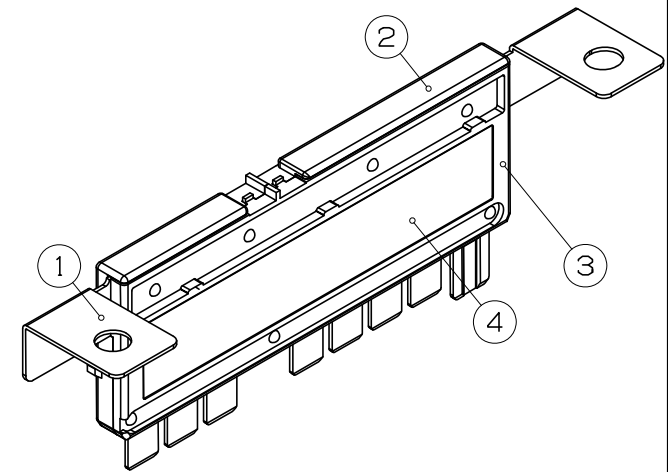
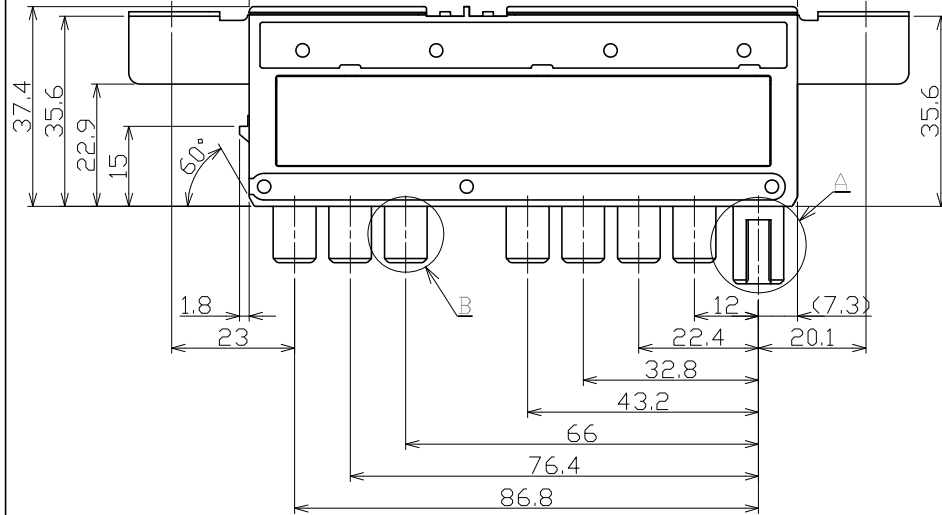
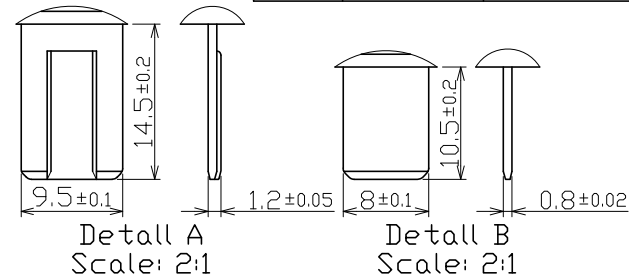


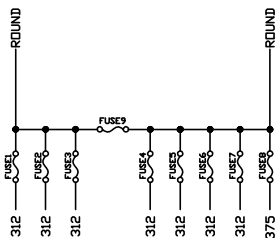
NO.	DATE	REVISION	DR
B	'08.03.31	ADDED F-3 TYPE	IWATA
C	'11.01.26	ADDED PANTONE COLOR	KAWASE
D	'13.01.08	PART NAME CHANGE	KAWASE



< FUSE RATING >

PEC PART NAME	MUSB-F3	MUSB-F4	MUSB-F5	MUSB-F6
PEC PART NO.	3654-00*0	3655-00*0	3656-00*0	3657-00*0
DISCRIMINATION MARK				
FUSE1	60A	50A	50A	50A
FUSE2	60A	40A	50A	50A
FUSE3	40A	30A	30A	30A
FUSE4	40A	40A	40A	40A
FUSE5	40A	40A	40A	40A
FUSE6	40A	40A	40A	40A
FUSE7	60A	40A	40A	40A
FUSE8	60A	50A	80A	80A
FUSE9	150A	150A	150A	125A

< CIRCUIT DAIGRAM >



NUMBER	DESCRIPTION	Q'TY	MATERIAL	REMARKS	PANTONE No.
④	COVER	2	PAR	Color: CLEAR	
③	HOUSING2	1	PA6T	Color: BLACK	PANTONE BLACK
②	HOUSING 1	1	PA6T	Color: BLACK	PANTONE BLACK
①	ELEMENT	1	COPPER ALLOY	t0.8	

APPROVED	<i>cl Oata</i>	DATE	MATERIAL	DIMENSION TOLERANCE	ANGULAR TOLERANCE
CHECKED	<i>mlr</i>	DATE	SEE TABLE	±0.3	-
DESIGNED	<i>F, Kawase</i>	DATE	COAXIAL TOLERANCE	FINISH	RUST PREVENTION
DRAWN	<i>K. HARA</i>	DATE	-	-	-
SCALE	1:1	UNIT	mm	DIAGRAM METHOD	THIRD ANGLE PROJECTION
DRAWING DATE	'13.01.08	DRAWING NAME	G3651-0-2	PART NAME	MUSB-F
				PART NO.	SEE TABLE