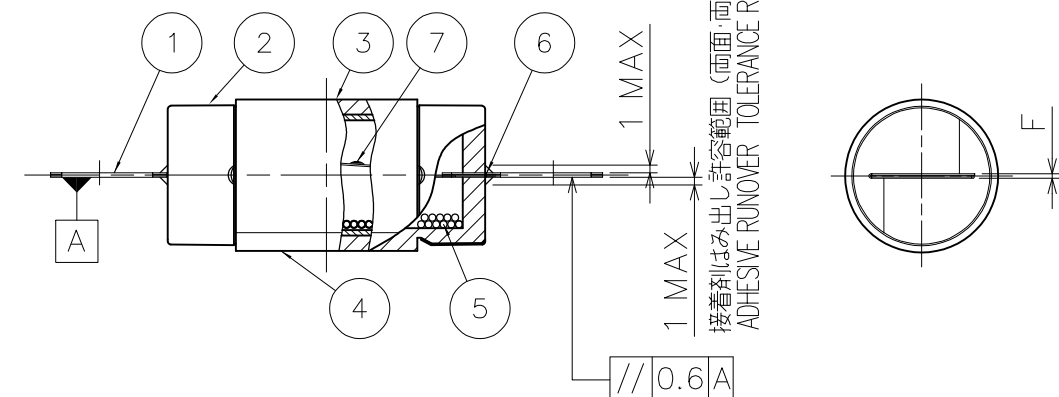
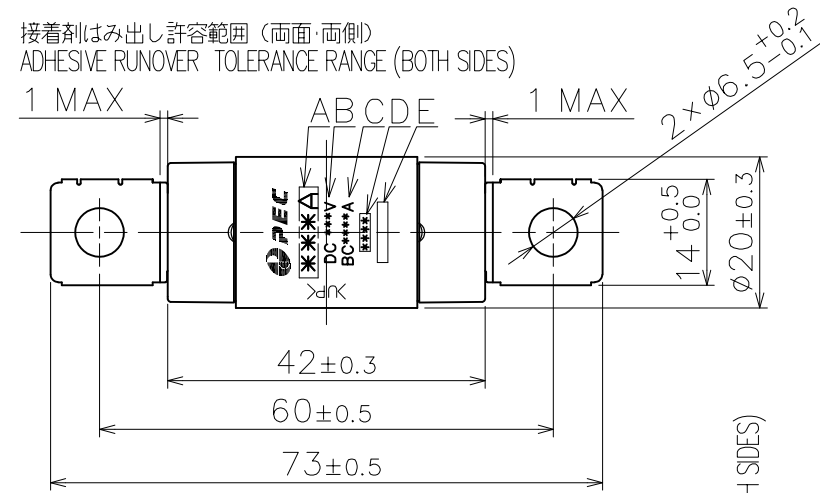


NO.	DATE	REVISION RECORDS	REVISED	REVISION NO.
-	02/SEP/2025	NEWLY ESTABLISHED	YAMAUCHI	-
-	-	-	-	-
-	-	-	-	-



仕様

1. 定格電圧 : 下表参照
2. 定格遮断容量 : 下表参照
3. 使用温度範囲 : -40℃~85℃
4. 保管温度範囲 : -40℃~85℃
6. ヒューズの固定方法 : M6ボルト2本で固定。
7. PES-02-04の環境負荷物質の使用禁止・制限規定を遵守する事。

SPECIFICATIONS

1. RATED VOLTAGE : SEE BELOW TABLE
2. BREAKING CAPACITY : SEE BELOW TABLE
3. OPERATING TEMPERATURE LIMIT : -40℃...85℃
4. STORAGE TEMPERATURE LIMIT : -40℃...85℃
6. FUSE FIXING METHOD : USE TWO M6 BOLTS.
7. COMPLY WITH ENVIRONMENTAL RESTRICTION AND PROHIBITION WHICH PRESCRIBED UNDER "PES-02-04".

品名 PART NAME	定格電流 RATED CURRENT	品番 PART No.	定格遮断容量 BREAKING CAPACITY	定格電圧 RATED VOLTAGE	F寸法 DIMENSION "F"
EVFP-φ20 70A	70A	TBD	TBD	450V	0.6mm
EVFP-φ20 80A	80A	TBD	TBD	450V	0.6mm
EVFP-φ20 100A	100A	TBD	TBD	450V	0.6mm
EVFP-φ20 125A	125A	TBD	TBD	450V	0.6mm
EVFP-φ20 150A	150A	TBD	6000A	360V	0.6mm
EVFP-φ20 175A	175A	TBD	8000A	360V	0.9mm

7	-	SOLDER	-	TIN ALLOY	-	ONLY 70A~125A
6	-	ADHESIVE	-	EPOXY-RESIN	-	-
5	-	ARC-EXTINGUISHING SAND	-	SILICA	-	-
4	-	CASE B	1	UNSATURATED POLYESTER	-	-
3	-	CASE A	1	UNSATURATED POLYESTER	-	-
2	-	RING	2	COPPER	-	-
1	-	ELEMENT	1	COPPER	-	-
NO.	PART NO.	PART NAME	Q'TY	MATERIAL	SIZE	REMARKS

APPROVED	A. Iwata	DIMENSION TOLERANCE	ANGULAR TOLERANCE	FINISH
CHECKED	K. Osada	±0.2	-	-
DESIGNED	J. yamauchi	RUST PREVENTION	MATERIAL	
DRAWN	J. yamauchi	-	SEE TABLE	

SCALE	UNIT	DIAGRAM METHOD	PART NAME
1:1	mm	THIRD ANGLE PROJECTION	EVFP-φ20 ***A
DRAWING DATE	DRAWING NAME	3D CAD DATA	PART NO.
02/SEP/2025	-	-	SEE TABLE

<b>Pacific Engineering Corporation</b>			SHEET	SIZE
			1 / 1	A3

NOTE

1. THE CAUTION IS MARKED BY LASER MARKER. AND THE DIRECTION OF THE CAUTION REFER TO THE DRAWING.
2. "A" PORTION SHOWS RATED CURRENT.
3. "B" PORTION SHOWS RATED VOLTAGE.
4. "C" PORTION SHOWS BREAKING CAPACITY.
5. "D" PORTION SHOWS A PEC' S PART NO.
6. "E" PORTION SHOWS A PRODUCT LOT NO.

注記

1. 表示はレーザーマーカーで印字する事。表示は図面の向きで印字する事。
2. "A" 部には定格電流を表示する事。
3. "B" 部には定格電圧を表示する事。
4. "C" 部には定格遮断容量を表示する事。
5. "D" 部には当社品番を表示する事。
6. "E" 部には当社製造Lot No.を表示する事。